

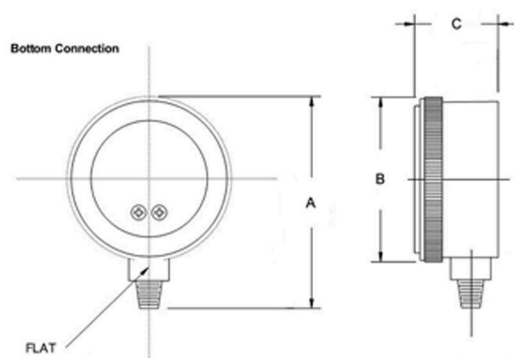
## Applications:

Welding tank regulators or manifolds, beverage dispensing regulators and other pressurized tanks.



## Specifications:

■ Dial	2"(50mm),2.5"(63mm)
■ Case	Polished Brass
■ Lens	Plexiglass
■ Socket	Brass
■ Internal	Brass
■ Connection	1/4" NPT
■ Range	0-30 PSI -- 0-4000 PSI
■ Accuracy	±3-2-3%



Dial	A	B	C
2" (50mm)	2.910" (73.8mm)	2.260" (57.3mm)	1.148" (29.1mm)
2.5" (63mm)	3.750" (95.1mm)	2.800" (71.0mm)	1.165" (29.60mm)