

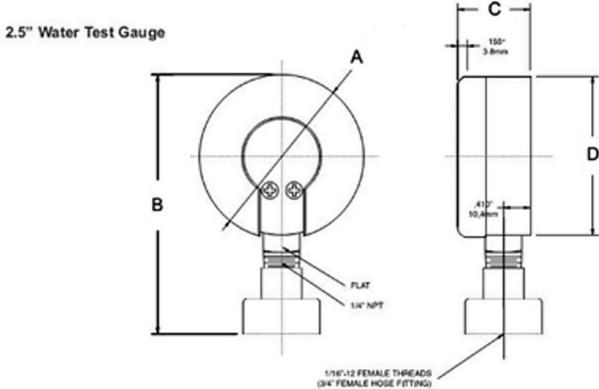
Applications:

Residential and commercial pressure testing of gas and water lines.



Specifications:

■ Dial	2"(50mm),2.5"(63mm)
■ Case	Black Paintied Steel
■ Lens	Acrylic
■ Ring	Black Paintied Steel
■ Internal	Brass
■ Connection	Top connection 3/4" female swivel hose
■ Range	30"Hg.Vacuum -- 0-2000 PSI/KPA
■ Accuracy	±3-2-3%
■	A maximum pointer available on water test gauge



Dial	A	B	C	D
2.5" (63mm)	2.535" (64.3mm)	4.000" (101.5mm)	1.120" (28.4mm)	2.447" (62.1mm)