

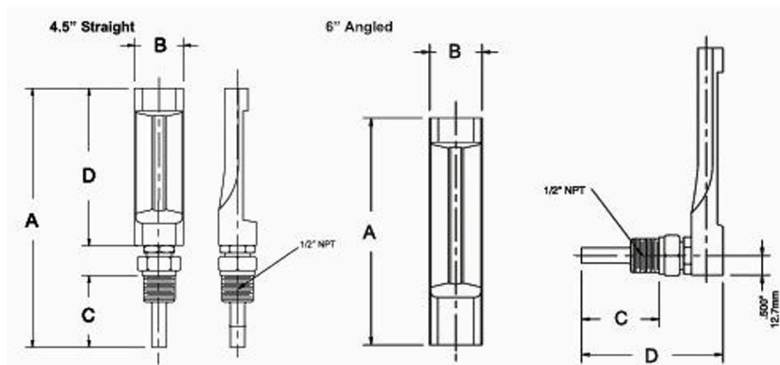
Applications:

Provide 4.5" (110mm), 6" (150mm) or 8" (200mm) scales. Offers ruggedness and durability in harsh industrial environments. Used in heating, plumbing, air conditioning and ventilation applications.



Specifications:

■ Dial	4.5"(110mm),6"(150mm),8"(200mm)
■ Case	Aluminum,anodized gold
■ Liquid Filling	Organic Liquid (Red / Blue)
■ Stem	Brass / st/st
■ Swivel Nut	Brass / st/st
■ Connection	1/2" BSP / NPT
■ Range	-40-110F/C,20/180F/C,30-240F/C, 30-300F/C,50-400F/C
■ Accuracy	±2%



Dial	A	B	C	D
4.5" (110mm)	7.175" (182.1mm)	1.345" (34.1mm)	2.000" (50.8mm)	4.33" (110mm)
6" (150mm)	5.825" (147.8mm)	1.345" (34.1mm)	2.000" (50.8mm)	3.630" (92.1mm)