

Applications:

One piece forged brass case gauge, designed for severe service conditions, used in industrial and hydraulic systems.

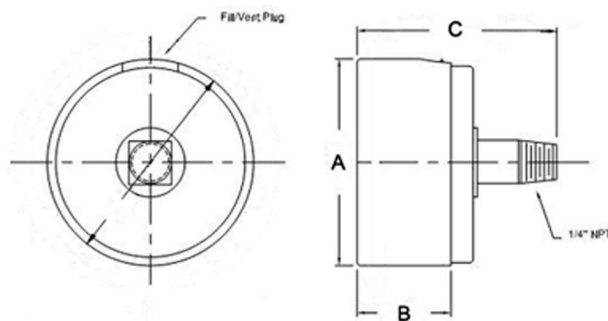


Specifications:

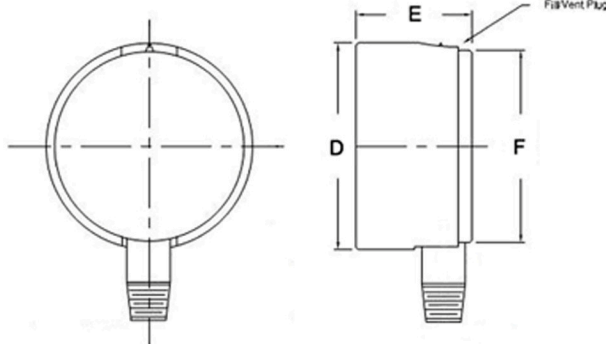
■ Dial	2.5"(63mm),4"(100mm)
■ Case	Forged brass case
■ Lens	Polycarbonate
■ Ring	2.5"(63mm) Gold plated ABS, 4" (100mm) Polished Brass
■ Internal	Brass
■ Connection	1/2" or 1/4" NPT
■ Range	30"Hg.Vacuum -- 0-100 PSI/KPA
■ Accuracy	2.5"(63mm) $\pm 1.5\%$, 4"(100mm) $\pm 1\%$
■ Liquid Filled	Glycerin

6- Forged Brass Case Gauge

Forged Brass Case Gauge, Back Connection



Forged Brass Case Gauge, Bottom Connection



Dial	A	B	C	D	E	F
2.5" (63mm)	2.58" (65.6mm)	1.21" (30.7mm)	2.58" (65.53mm)	2.58" (65.6mm)	1.49" (37.8mm)	2.41" (61.3mm)
4" (100mm)				3.937" (100.0mm)	2.008" (51.0mm)	3.858" (98.0mm)