

Applications:

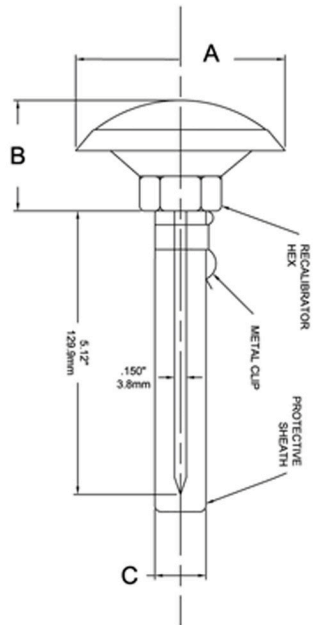
A general purpose, versatile 1" (25mm) to 6" (150mm) dial, all sealed and SS304 thermometer. Used to industrial process, food processing and wastewater.



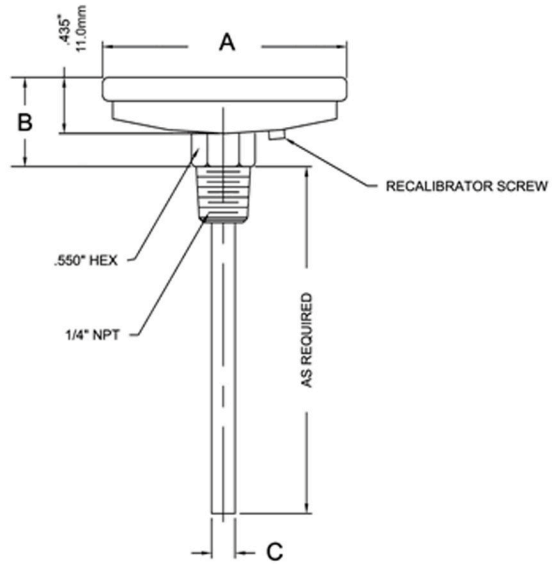
Specifications:

■ Dial	1"(25mm),2"(50mm),3"(75mm),4"(100mm),5"(125mm),6"(150mm), dish-shaped
■ Case	Stainless steel
■ Lens	Glass / Acrylic
■ Stem	From 2.5" (63mm) and up
■ Adjustment	Re-zero adjustment screws are available
■ Connection	1/4" or 1/2"NPT, back, bottom or adjustable angle connection
■ Range	-100-150F/C -- 200-1000F/C, -40/120F-- 200/1000F, -80/50C -- 100/550C
■ Accuracy	±1.0%

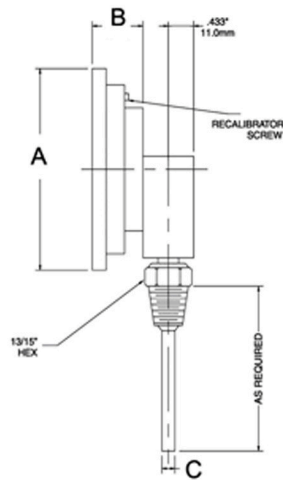
1" Back Connection



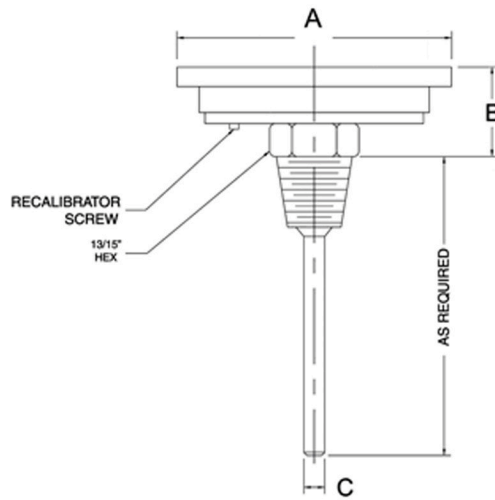
2" Back Connection



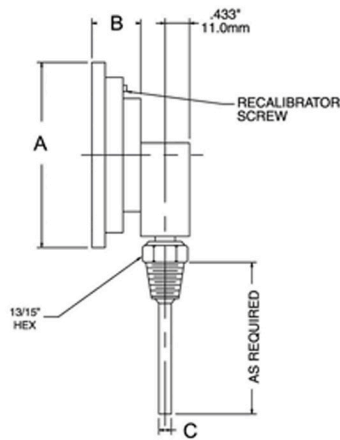
3" Bottom Connection



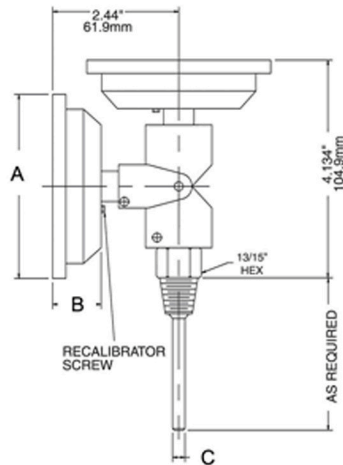
4" Back Connection



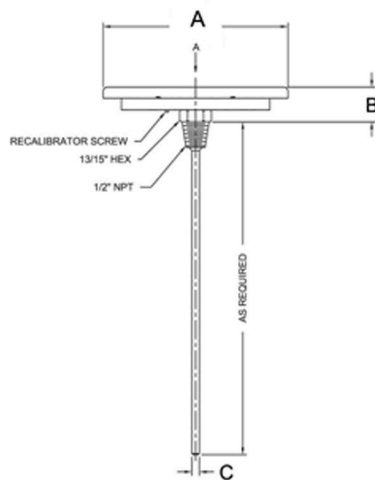
5" Bottom Connection



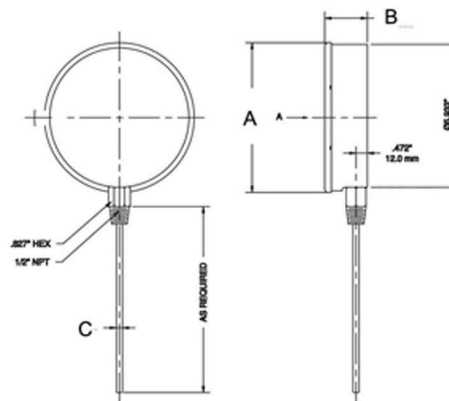
5" Adjustable Angle



6" Back Connection



6" Bottom Connection



Dial	A	B	Ct
1" (25mm)	1.025" (26.0mm)	0.530" (13.5mm)	0.320" (8.1mm)
2" (50mm)	2.125" (54.0mm)	0.81" (20.5mm)	0.250" (6.3mm)
3" (75mm)	3.29" (83.5mm)	0.886" (22.0mm)	0.250" (6.3mm)
4" (100mm)	4.33" (109.9mm)	1.3" (33.0mm)	0.250" (6.3mm)
5" BTM (125mm)	5.31" (134.8mm)	0.906" (23.0mm)	0.250" (6.3mm)
5" Adj (125mm)	5.28" (134.0mm)	0.906" (23.0mm)	0.250" (6.3mm)
6" BACK (150mm)	6.220" (158.0mm)	1.162" (29.5mm)	0.25"±0.01 (6.4mm±0.25)
6" BTM (150mm)	6.220" (158.0mm)	1.772" (45.0mm)	0.25"±0.01 (6.4mm±0.25)